



DOMINA PRO 700 - FRYERS

## FRBE74A



### 1 BOWL, ELECTRIC ON CLOSED STAND

#### TECHNICAL DATA:

External dimensions - WxDxH (cm)	40x73x85
Tank capacity (lt-GN)	12
Total power (kW)	9
IPX5	●

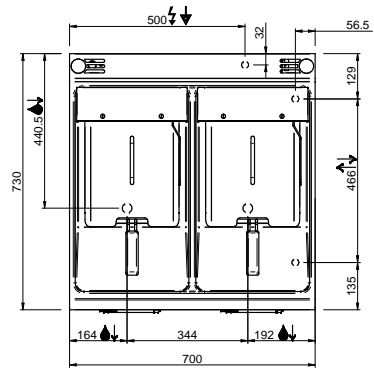
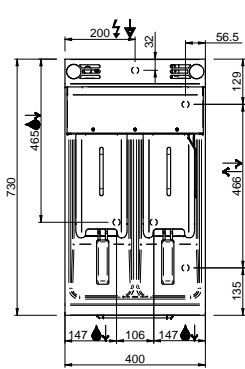
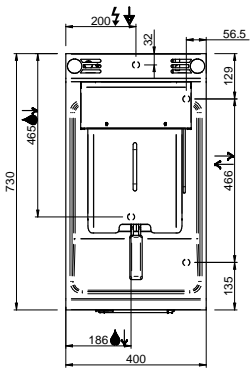
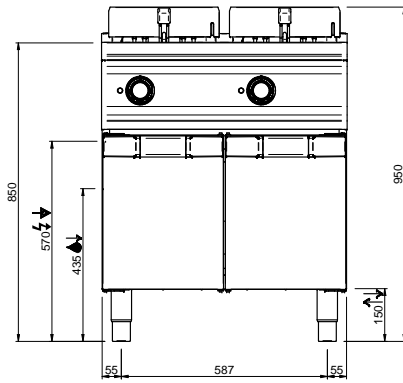
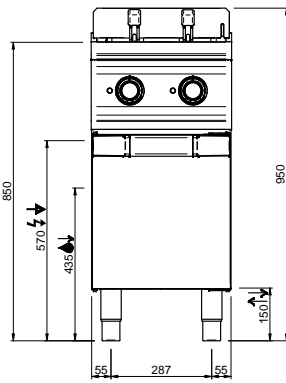
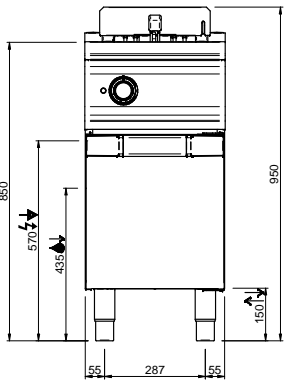
#### ADDITIONAL TECHNICAL DATA:

Tank dimensions - WxDxH (cm)	24x34x21,5
Supply (N)	400V 3N 50/60Hz
Weight (kg)	53
Volume (m3)	0,5

The 18/10 AISI 304 stainless steel tanks are moulded and continuous-welded with rounded corners for easy cleaning and sanitation.

A large front drainer for greater ease of use and cleaning. The used oil outlet system is simple and safe with an oil collection tank with stainless steel filter. All models have safety thermostat and thermostatic temperature control to keep the oil temperature within safety parameters.

Versions with digital display (FRBE74AD - FRBE77AD - FRBE74AHP) are equipped with automatic melting, allow precise control of the oil temperature, the setting of the cooking time and the setting of automatic programs to set and speed up the most frequent cooking. The HP model also ensures maximum reactivity essential to get high productivity in small spaces.



LEGENDA SIMBOLI / LEGEND



INGRESSO GAS / GAS INLET  
(EN 10226-1) Ø M 1/2"



INGRESSO ACQUA /  
WATER INLET Ø M 1/2"



ATTACCO EQUIPOTENZIALE /  
EQUIPOTENTIAL



ALIMENTAZIONE ELETTRICA /  
POWER SUPPLY



SCARICO ACQUA / OLII  
WATER / OILS DRAIN



REGOLAZIONE PIEDINI /  
FEET ADJUSTMENT (h 0/+50)