



MAGISTRA PLUS 700 - PASTA COOKERS

MCPE77A



1 BOWL, ELECTRIC ON CLOSED STAND

TECHNICAL DATA:

External dimensions - WxDxH (cm)	70x71,4x85
Tank capacity (lt-GN)	40
Total power (kW)	9

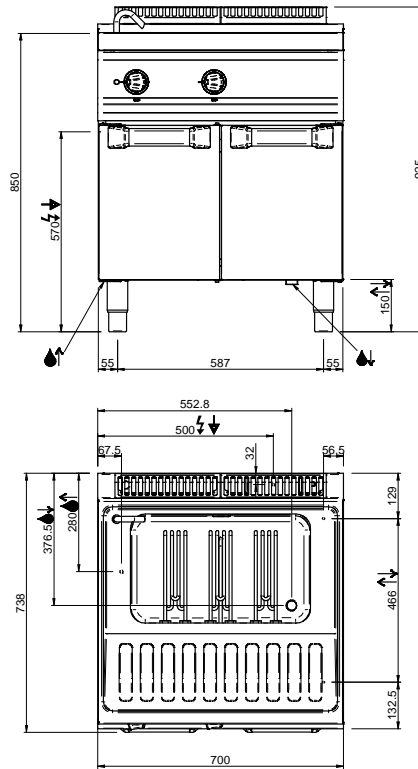
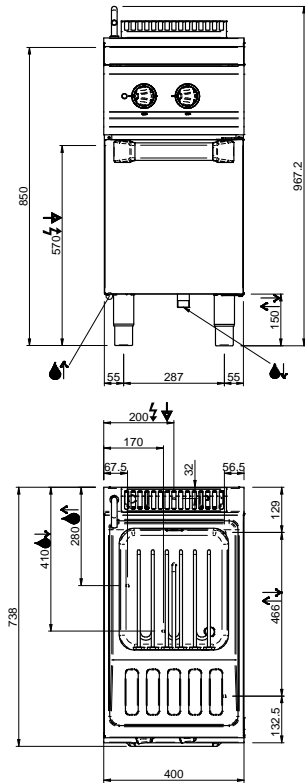
ADDITIONAL TECHNICAL DATA:

Tank dimensions - WxDxH (cm)	51x31x30
Electric elements (kW)	9
Supply (N)	400V 3N 50/60Hz
Weight (kg)	58
Volume (m3)	0,8

The moulded tanks are in AISI 316 anti-corrosion stainless steel, with rounded corners for easy cleaning. The optional pasta baskets are in AISI 304 18/10 stainless steel with thermal handle. Electric valve to load the water.

Gas versions: stainless steel burner with self-stabilizing flame. Thermocouple safety device connected to the pilot flame. Piezo-electric burner ignition.

Electric versions: electric heating elements in armoured stainless steel; power adjustment with four position switch; control of the temperature with operating and safety thermostat. 1 mm worktop in AISI 18/10 stainless steel. Excellent alignment with joints.



LEGENDA SIMBOLI / LEGEND



INGRESSO GAS / GAS INLET
(EN 10226-1) Ø M 1/2"



ALIMENTAZIONE ELETTRICA /
POWER SUPPLY



INGRESSO ACQUA /
WATER INLET Ø M 1/2"



SCARICO ACQUA / OLII
WATER / OILS DRAIN



ATTACCO EQUIPOTENZIALE /
EQUIPOTENTIAL



REGOLAZIONE PIEDINI /
FEET ADJUSTMENT (h 0/+50)