



MAGISTRA PLUS 700 - CHARCOAL GRILL

**MPLG74A**



## CHARCOAL GRILL ON OPEN STAND

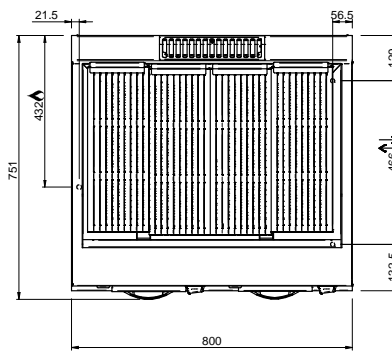
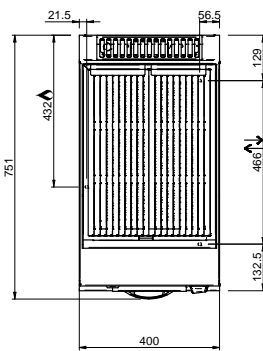
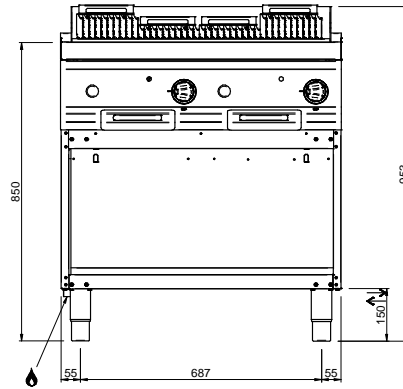
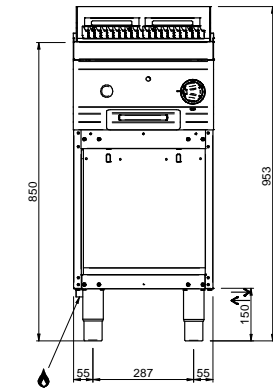
### TECHNICAL DATA:

External dimensions - WxDxH (cm)	40x71,4x85
Total power (kW)	7,5

### ADDITIONAL TECHNICAL DATA:

Grid dimensions - WxD (cm)	35,2x47,5
Nr. Burners Nr. Burners 7.5 kW	1
Weight (kg)	56
Volume (m3)	0,5

The cooking grid is cast iron made, double face meat/fish. An extractable stainless steel drawer collects grease during cooking. Full moduls (80 cm) have independent heating elements to allow different cooking. 1 mm worktop in AISI 18/10 stainless steel. Excellent alignment with joints.



LEGENDA SIMBOLI / LEGEND



INGRESSO GAS / GAS INLET  
(EN 10226-1) Ø M 1/2"



ALIMENTAZIONE ELETTRICA /  
POWER SUPPLY



INGRESSO ACQUA /  
WATER INLET Ø M 1/2"



SCARICO ACQUA / OLII  
WATER / OILS DRAIN



ATTACCO EQUIPOTENZIALE /  
EQUIPOTENTIAL



REGOLAZIONE PIEDINI /  
FEET ADJUSTMENT (h 0/+50)